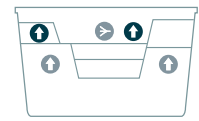
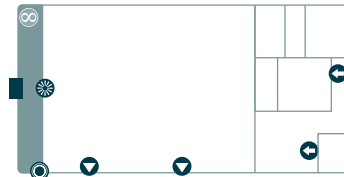


| | |
|---------------------------|--|
| Commercial sizes | 5,5 x 2,5 x 1,40m |
| Cover pit | Covrex® Integrated, WaluDeck mobile or bar safety cover |
| Water level | 1,35 m |
| Weight incl. cover system | 500 kg |
| Water volume | 18 m³ |
| Crane ¹ | 13 tonnes |

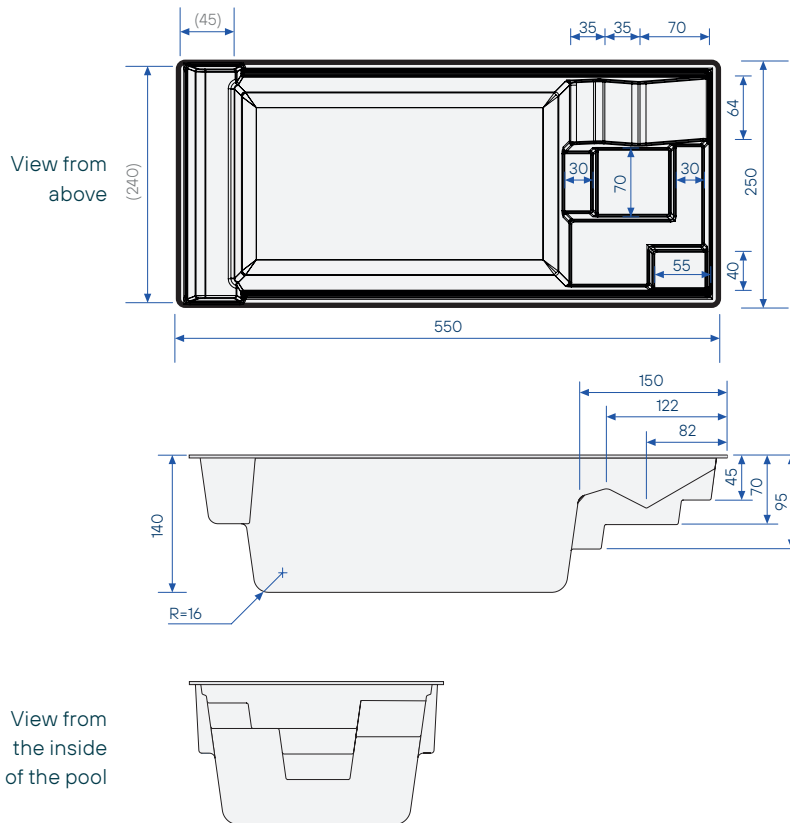


- ▼ **Standard lights** can be placed on opposite side
- **Drain**
- ⊙ **Suction connection**
- ⊕ **Inlet**
- ⊖ **Counter-current system (optional)** ⁴

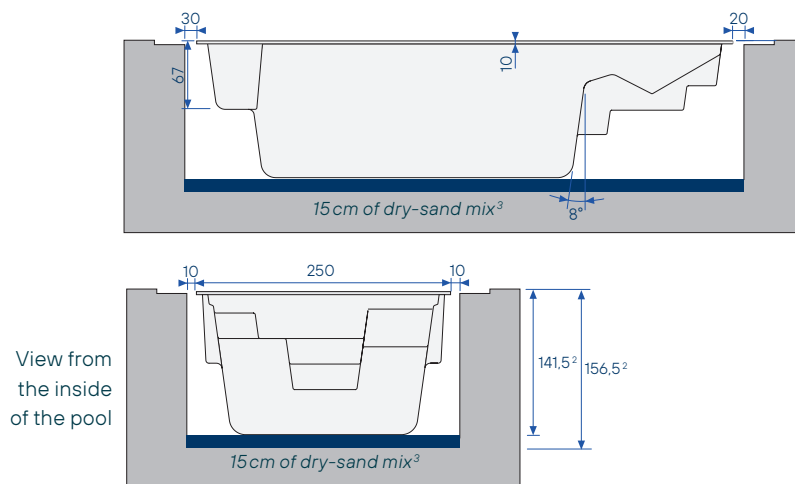
- ⊕ **2 additional inlets (optional)**
- ⊙ **Additional circulation (optional)**
- **Option WITHOUT integrated cover: 1x skimmer**

¹ Optional: 1. integrated Covrex® cover: 1x high level skimmer in the cover pit
² WaluDeck cover (not) motorised: 1x traditional skimmer - 3. bar safety cover: 1x traditional skimmer

External (Internal) dimensions in cm – tolerance ± 2%



Digging sizes in cm – tolerance ± 2%



Note: the digging sizes do not take into account the necessary space for the coping stones.

¹ Needed for unloading & placing the pool. ² Depth taken from under the coping stone. ³ Mix of sand and cement, at a ratio of 250 kg per ton.

⁴ If combined with a counter current system, the position of inlets(s) may differ.